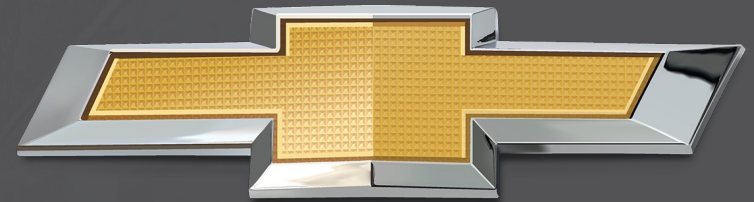


Certified Service



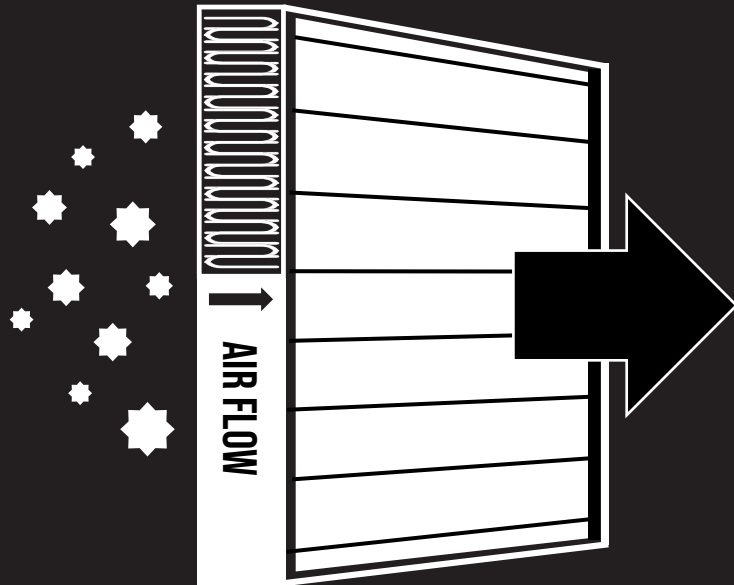
GASOLINE VEHICLES

MAINTENANCE SCHEDULE

CHEVROLET BUICK GMC OF PUYALLUP

800 River Rd.
Puyallup, WA 98371
Phone: (253) 693-8967

AIR FILTER SERVICE



PROBLEM:

Airflow throughout the engine and cabin of your vehicle is extremely important. Air filters are used to keep contaminants out of your engine and pollutants out of your cabin.

SOLUTION:

By regularly changing your engine and cabin filters you can increase your engine's performance and fuel economy while keeping allergens and pollutants out of your vehicle's cabin.

BENEFITS:

- Engine performance
- Increased fuel efficiency
- Reduced Emissions
- Decreased pollutants and allergens

\$49

ENGINE AIR FILTER

\$59

CABIN AIR FILTER

15K MILE SERVICE

**\$ BASIC
99**

**\$ VALUE
119**

**\$ PREFERRED
139**

4-Wheel Alignment	✓	✓	✓
Vehicle Health Report	✓	✓	✓
Fuel Treatment		✓	✓
Engine Oil Conditioner			✓

The above are suggested maintenance services designed to meet the demands of normal/severe driving and weather conditions. This automotive group makes every effort to display the correct maintenance schedules. Services may not be applicable to all models, and prices may vary. Taxes, applicable shop supplies and hazmat fees are not included in the sales price. Please consult your vehicle owner's manual and service advisor for specific details and verifications.

BATTERY SERVICE

Your car's battery is the starting point for every system it uses and ensures proper vehicle operation with a safe and reliable drive.

PROBLEM

The conditions surrounding your battery posts create the perfect breeding ground for corrosion, which typically appears as a white powdery residue. As the corrosion builds up, it becomes harder for your vehicle to pull the current from the battery. A poor connection can lead to a number of unwanted issues including failure to start, electrical malfunctions, improper signals to solenoids and computers, and even stalling.

SOLUTION

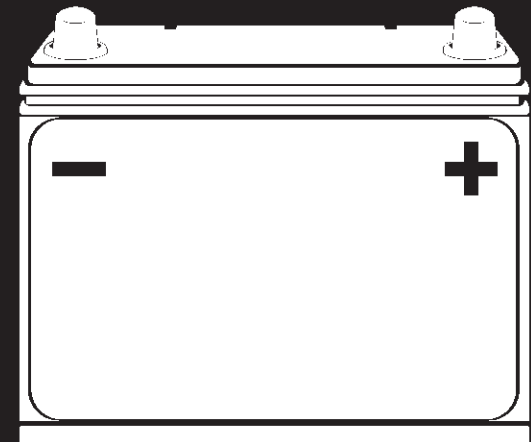
A trained technician will check battery fluid levels and add fluid, if required. A specially formulated solution is applied to detect the presence of acid seepage around the battery terminals, neutralize any acid that is present, and remove corrosion and residue from the battery terminals. The technician then adds a protective coating and terminal protectors to help prevent the recurrence of corrosion.

BENEFITS

- Helps extend battery life
- Promotes consistent power delivery
- Can prevent costly repairs associated with battery corrosion

\$39

SINGLE BATTERY



25K MILE SERVICE

**\$ BASIC
279**

**\$ VALUE
299**

**\$ PREFERRED
319**

Replace Engine Air Filter	✓	✓	✓
Replace Cabin Air Filter	✓	✓	✓
Fuel System Cleaning	✓	✓	✓
Vehicle Health Report	✓	✓	✓
Fuel Treatment		✓	✓
Engine Oil Conditioner			✓

The above are suggested maintenance services designed to meet the demands of normal/severe driving and weather conditions. This automotive group makes every effort to display the correct maintenance schedules. Services may not be applicable to all models, and prices may vary. Taxes, applicable shop supplies and hazmat fees are not included in the sales price. Please consult your vehicle owner's manual and service advisor for specific details and verifications.

WHEEL ALIGNMENT



4-WHEEL ALIGNMENT

PROBLEM:

During normal use, and operation, you will more than likely encounter potholes, bumps and other road imperfections. Your suspension and tires naturally help blunt the worst of the impact. But these impacts jar the suspension components from their ideal settings. Once this happens, your wheels will become out of alignment.

SOLUTION:

Our trained technicians will adjust the angles of your vehicle's wheels to original specifications for best fuel economy, proper road contact a smooth ride and the longest tire life.

BENEFITS:

- Increase Fuel Efficiency
- Reduce Auto Repairs
- Experience Smoother Driving
- Improve Vehicle Safety
- Increase the Life of Your Tires

50K MILE SERVICE

\$ BASIC
499
TRUCKS
\$959

\$ VALUE
649
TRUCKS
\$1109

\$ PREFERRED
739
TRUCKS
\$1199

Replace Engine Air Filter	✓	✓	✓
Replace Cabin Air Filter	✓	✓	✓
Fuel System Cleaning	✓	✓	✓
Transmission Service***	✓	✓	✓
Complete 4X4 Service (Trucks Only)	✓	✓	✓
Vehicle Health Report	✓	✓	✓
Brake Fluid Exchange		✓	✓
4-Wheel Alignment			✓

***8-Speed Transmissions add \$300.00 ***10-Speed Transmissions add \$329.00

FUEL SYSTEM SERVICE

PROBLEM:

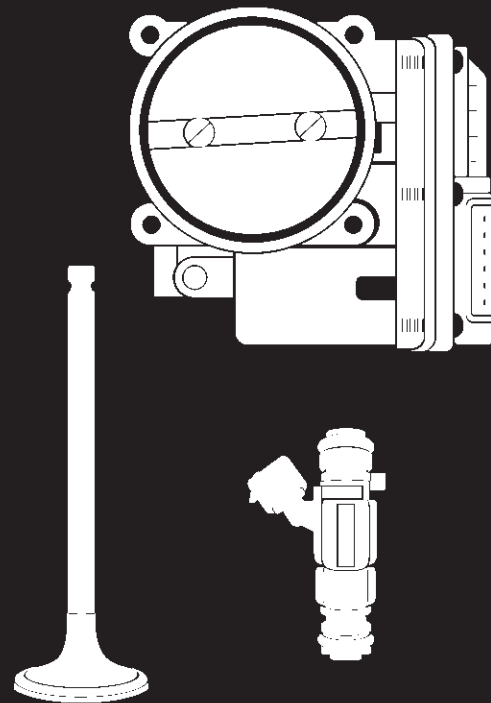
During normal use, and operation, harmful deposits can build up in a vehicle's fuel system. These deposits can restrict the fuel flow to the combustion chamber and inhibit the movement of system components. The results can lead to hard starts upon ignition, rough and inconsistent idle, poor fuel economy, and major loss of performance. Manually removing, and cleaning these components is costly, and time consuming; replacing them is even more expensive.

SOLUTION:

Our fuel service treatment will help dissolve harmful contaminants and remove existing deposits by injecting specialized detergents into the combustion chamber through the fuel injectors, without need for disassembly or manual cleaning. Your certified technician will then clean the throttle body using high pressure cleaners to remove debris from hard to reach areas, and parts of your vehicle's fuel system. To complete the cleaning process, a highly concentrated supplement is added to your vehicle's fuel reserve to remove any residual build-up remaining in the system.

BENEFITS:

By servicing your fuel system today, you will restore performance, ensure the dependability, and reliability of your vehicle, and protect the investment you've already made.



\$179

COMPLETE FUEL SERVICE

100K MILE SERVICE

\$ BASIC
639
TRUCKS
\$1099

\$ VALUE
799
TRUCKS
\$1269

\$ PREFERRED
989
TRUCKS
\$1359

Replace Engine Air Filter	✓	✓	✓
Replace Cabin Air Filter	✓	✓	✓
Fuel System Cleaning	✓	✓	✓
Transmission Service***	✓	✓	✓
Cooling System Service	✓	✓	✓
Complete 4X4 Service (Trucks Only)	✓	✓	✓
Vehicle Health Report	✓	✓	✓
Brake Fluid Exchange		✓	✓
4-Wheel Alignment			✓

SPARK PLUGS

4CYL \$119

6CYL \$269

8CYL \$329

***8-Speed Transmissions add \$300.00 ***10-Speed Transmissions add \$329.00

The above are suggested maintenance services designed to meet the demands of normal/severe driving and weather conditions. This automotive group makes every effort to display the correct maintenance schedules. Services may not be applicable to all models, and prices may vary. Taxes, applicable shop supplies and hazmat fees are not included in the sales price. Please consult your vehicle owner's manual and service advisor for specific details and verifications.

TRANSMISSION SYSTEM SERVICE

Today's automotive transmissions are extremely advanced. While many transmissions contain cutting-edge electronic components, they are still mechanically driven and require routine maintenance.

PROBLEM

Many automatic transmissions fail due to the breakdown of their protective lubricating fluids. Driving habits, environmental conditions, and infrequent or incomplete servicing can cause this fluid to breakdown at an accelerated rate leading to overheating, excessive wear, poor shifting, and even catastrophic failure.

Conventional drain-and-fill services leave behind much of the used fluid inside the transmission along with harmful deposits that contaminate newly added fluid.

BENEFITS

- Completely cleans the automatic transmission system
- Removes deposits that restrict fluid flow
- Helps prevent oxidation breakdown
- Helps keep seals soft and pliable
- Helps maintain proper shifting

SOLUTION

A highly trained technician will circulate premium ATF cleaner throughout your vehicle's transmission using specially designed tools for cleaning and sealing. The cleaner will dissolve and suspend deposits in the transmission, transmission cooler, and torque converter.

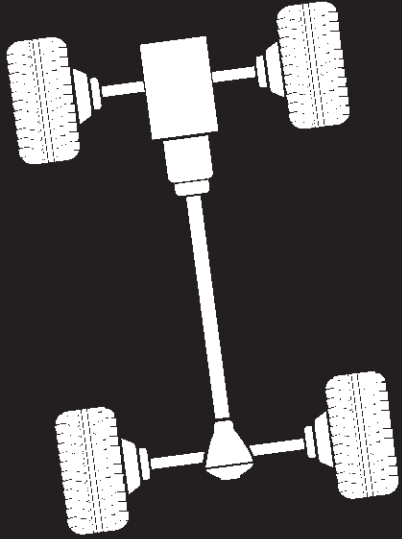
The used fluid and deposits are then extracted from the transmission system entirely. Simultaneously, new ATF is introduced to the system and a premium conditioner is added to fortify the new fluid against oxidation and conditions the seals to prevent future leaks.



\$219

DRIVELINE SYSTEM SERVICE

A vehicle's differentials require regular maintenance but are frequently neglected. They ensure that a vehicle's engine power is properly directed, keeping it comfortable to drive and safe on the road.



BENEFITS

- Reduces excessive gear noise
- Improves towing performance
- Helps improve gear engagement

FRONT DIFFERENTIAL SERVICE

\$129

REAR DIFFERENTIAL SERVICE

\$139

TRANSFER CASE SERVICE

\$109

PROBLEM

The powerful engines in today's vehicles can cause tremendous strain on the differentials. Driving conditions, driving habits, and environmental conditions can make the job of a differential even more difficult and can quickly deplete gear oil causing wear on internal components.

SOLUTION

Using high precision tools, an expert technician will remove all the used gear oil from the differential case. After removal, a premium gear lubricant is added to the differential to provide superior performance in extreme conditions. If a limited-slip differential is being serviced, the manufacturer required supplements will be added to the system, along with our premium conditioner, to maintain a smooth and quiet operation.

BRAKE FLUID EXCHANGE

Your vehicle's brake system is a critical safety component and must be maintained regularly.

PROBLEM

Brakes work by creating friction to slow and stop a vehicle. This friction creates a substantial amount of heat which in turn causes rapid oxidation of brake fluid. Deposits form in the brake system causing serious brake system malfunction which compromises the vehicle's safety.

SOLUTION

Our Certified Technician will exchange oxidized brake fluid with new brake fluid quickly and efficiently.

BENEFITS

- Decreased stopping distance
- Improved braking response
- Safety and security when on the road
- Quiet functioning
- Preventative maintenance

\$159



COOLING SYSTEM SERVICE

PROBLEM

Cooling system failure is one of the leading causes of mechanical break down. Over time, a vehicle's coolant degrades and loses its ability to protect the engine from rust, scale deposits, and corrosion. Contaminants can build up in the radiator, water pump, heater core, and hoses, restricting coolant flow. Eventually a catastrophic system failure can occur, such as overheating, leaks, and pump damage, which can cause costly repairs.

Traditional drain-and-fill services can leave as much as 50% of the contaminated coolant behind, greatly reducing the effectiveness of the new fluid and shortens its' life-cycle.

SOLUTION

A trained technician, using a high precision machine, will first circulate a system cleaner to breakdown deposits and scaling on the interior of the system. Then, using the specialized machine, the used fluid will be removed while the new fluid is added. A premium conditioning agent will then be added to the coolant to protect it against corrosion and premature depletion.

BENEFITS

- Helps prevent engine overheating
- Helps prevent engine freeze
- Improves coolant circulation
- Protects against corrosion, increasing the life of your cooling system

\$154



A' LA CARTE SERVICE

Tire Rotation	\$10
Engine Air Filter	\$49
Cabin Air Filter	\$59
Oil & Filter Change	\$79
Rotate & Balance Tires	\$69
Alignment	\$99
Front Differential Service	\$129
Rear Differential Service	\$139
Engine Coolant Exchange	\$154
Brake Fluid Exchange	\$159
GDI Fuel Service	\$179

The above are suggested maintenance services designed to meet the demands of normal/severe driving and weather conditions. This automotive group makes every effort to display the correct maintenance schedules. Services may not be applicable to all models, and prices may vary. Taxes, applicable shop supplies and hazmat fees are not included in the sales price. Please consult your vehicle owner's manual and service advisor for specific details and verifications.

